



TECHNICAL SHEET
TWISTED NAIL CLIPPED HEAD

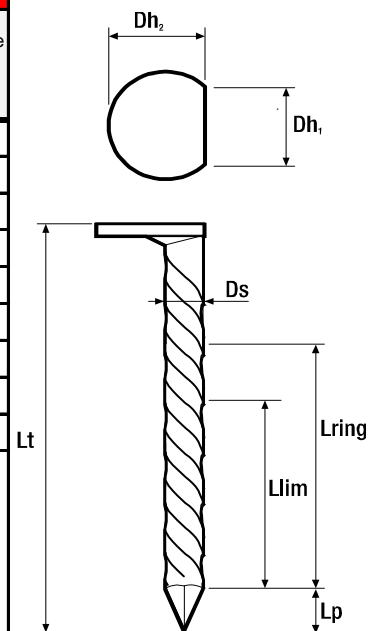
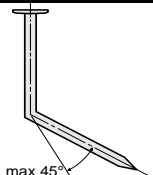
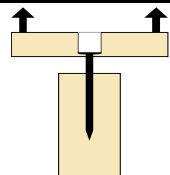
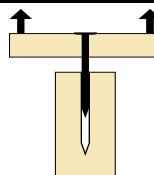
DIMENSIONS

Diameter $\varnothing ds$ [mm]	Length total Lt [mm]	Head surface mm ²	Head thickness mm	Length Point min. Lp [mm]	Length scewed max. Lring [mm]	Length glue max. Llim [mm]
3,2	99,5	23,60	1,60	5,10	69,80	2,60

MATERIAL CHARACTERISTICS

Diameter $\varnothing ds$ [mm]	Length total Lt [mm]	Characteristic withdrawl parameter $f_{ax,k}$ [N/mm ²]	Head pull-trough $f_{head,k}$ [N/mm ²]	Characteristic yield moment $M_{y,k}$ [Nmm]	Characteristic tensile capacity $f_{tens,k}$ [kN]
3,1	100	3,11	8,57	3 760	3,4

* Values for pull strength $f_{ax,k}$ and tensile capacity $f_{head,k}$ are based on characteristic wood density $\rho_k=350 \text{ kg/m}^3$ (C24). In calculations with other wood density multiply values by $\rho_k/350$.



APPLICATION

MATERIAL INFORMATION

Application:	Document no: AER - 20130412FR		
COATING	ENVIROMENT	MARKING	Dimensions: 3,1
Stainless steel	Outdoor	Grey	Material: Steel wire
Hot Dip Galvanized	Outdoor	Red	
Electro Galvanized	Indoor / Protected outdoor	Yellow	Coating: Clear - blue marking Electro Galvanized - yellow marking
Clear	Indoor	Blue	Acc. to standard: EN 14592

